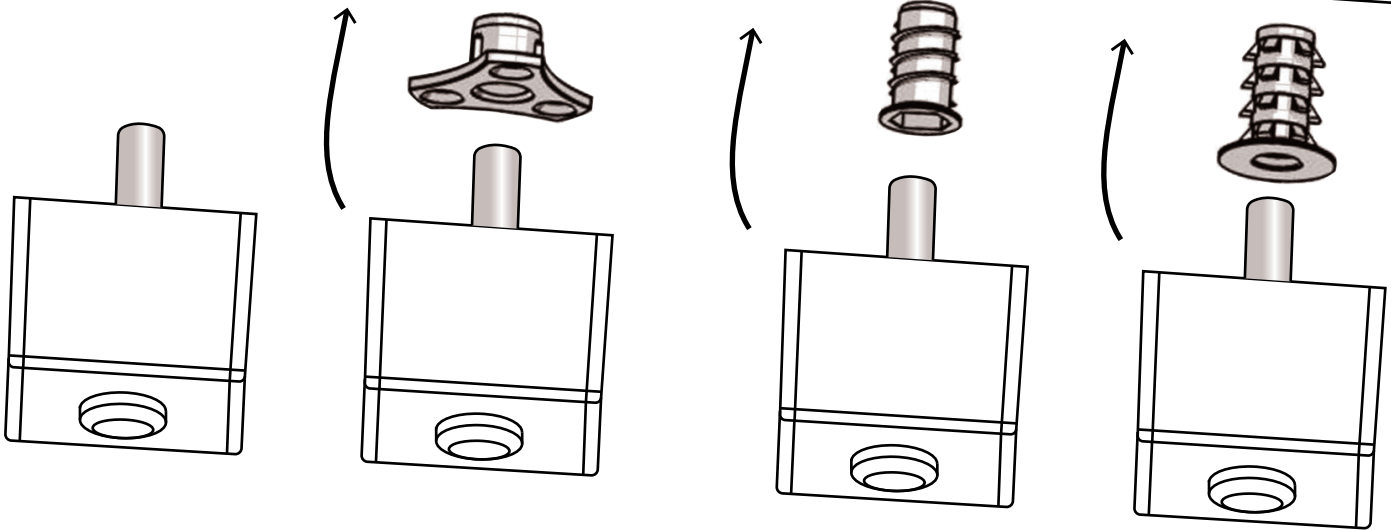
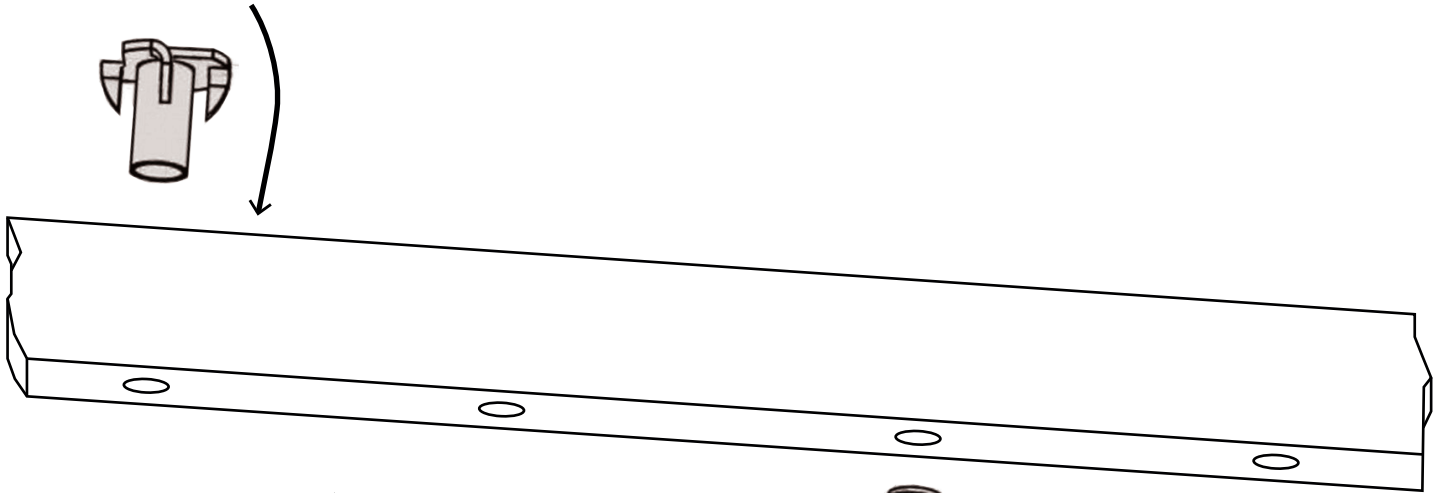




CLOCKWORK  
COMPONENTS

# Wooden Feet – Fixing Options

Make sure you choose the best fixing type to suit your needs, a guide to some of our most popular fixings are shown below.



**TNUT003-BZP**

Correctly fitted from the opposing side of the frame rail, a steel fixing with teeth to securely hold in place. The most commonly used (and often misused) fixing for furniture legs.

**DNUT005-A**

Also known as a Type J insert nut, countersunk holes in the flange of this product allow the nut to be fixed in place with screws.

**DNUT001**

A die cast fixing featuring a self-tapping external thread to secure into the frame. Available in a selection of thread sizes and lengths.

**BNUT001**

A barbed outer on this fixing allows for speedier 'knock-in' fitting to frames.